



"Standard" Separate-vacuum Hopper Loader

SAL-800G&SMH-6L

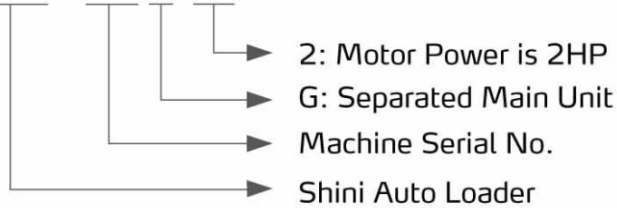


Refer carefully to this manual before operation.

SAL-G Series

■ Coding Principle

SAL - xxx G (2)



SAL-800G & SVH-6L

■ Features

- Microprocessor for ease of use and has multiple alarm indicators.
- Motor overload protector ensures long service life of motor.
- Audible material shortage alarm.
- Filter designed for easy cleaning and has filter status checking window for easier monitor of filter condition.

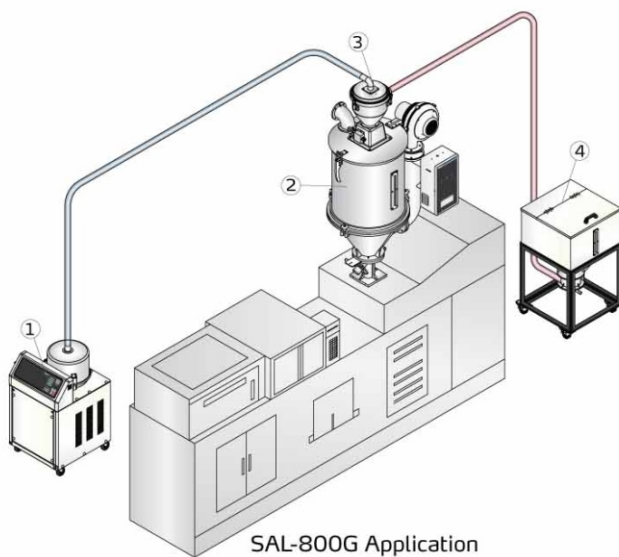


Control Panel (SAL-700G/800G)

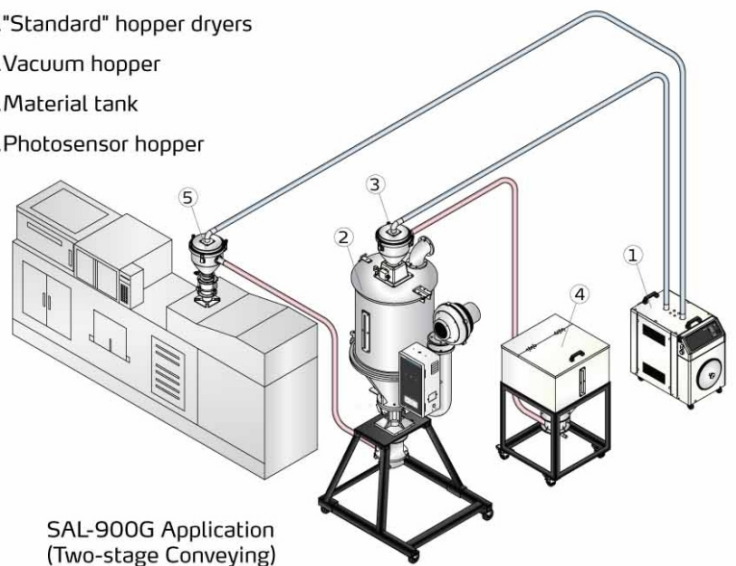


Control Panel (SAL-900G)

■ Application

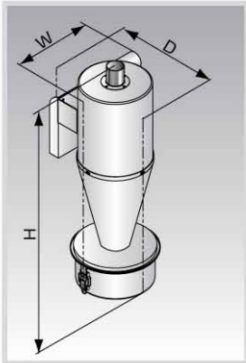


1. Vacuum loader
2. "Standard" hopper dryers
3. Vacuum hopper
4. Material tank
5. Photosensor hopper



Options

ACF-1

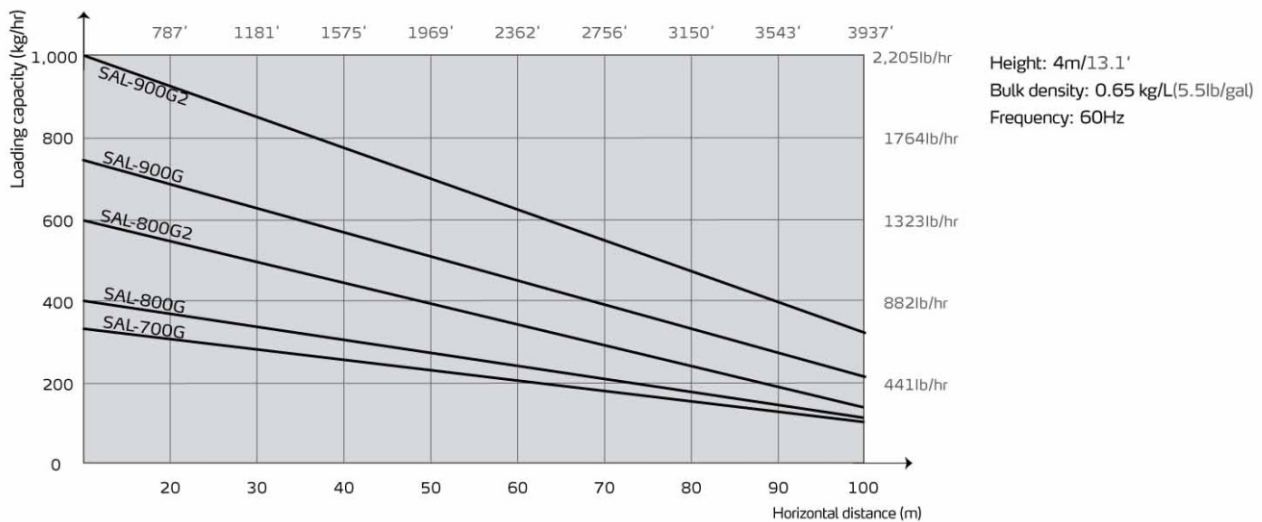


It is suggested opting for cyclone dust collector to reduce cleaning times of filter when regrind material occupies over 30% of total raw material.

Type	Capacity (L)	Outline Drawings (H×W×D)	Pipe diameter (inch)
ACF-1	1.5	550×220×235	1.5

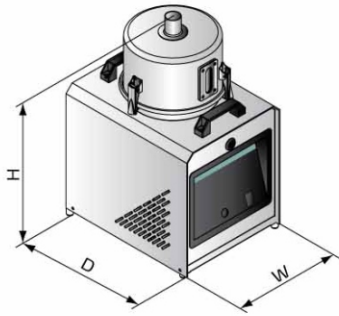
- SAL-330/360 are available to select SCH-6L storage bin can be directly mounted on injection molding machine.
- Proportional valve SPV-U (control cabinet is optional) is available, which is adopted to mix virgin and regrind materials, as well as instantly recycle regrind material.
- For polished hopper inside ones, add "P" at the end of model code.

Loading Capacity

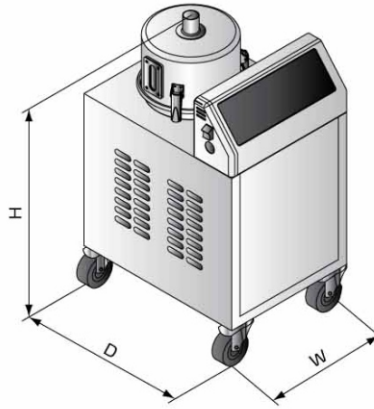


SAL-G Series

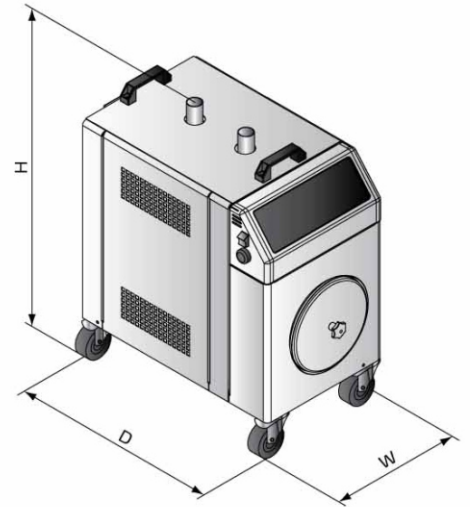
Outline Drawings



SAL-700G (Main Unit)



SAL-800G/800G2 (Main Unit)



SAL-900G/900G2 (Main Unit)

Specifications

Main Unit					Hopper Receiver					Conveying Pipe Dia (inch)	Air Suction Pipe Dia. (inch)	Conveying Capacity (50Hz)					
Model	Motor	Motor Power (kW, 50/60Hz)	Dimension H x W x D		Weight		Applied Model	Hopper Capacity				Dimension H x W x D		kg	lb	kg/hr	lb/hr
			mm	inch	kg	lb		L	gal			mm	inch				
SAL-700G	Carbon brush	1.2(1Φ)	590	23.2	18	40	SMH-6L	6	1.6	460×260×315	18×10×12.5	6	13	1.5	1.5	300	661
			300	11.8			SVH-6L			600×260×305	23.6×10×12						
SAL-800G	Inductive	0.75 (3Φ)	665	26.1	40	88	SMH-6L	6	1.6	460×260×315	18×10×12.5	6	13	1.5	1.5	300	661
			370	14.6			SVH-6L			600×260×305	23.6×10×12						
SAL-800G2	Inductive	1.5 (3Φ)	665	26.1	47	104	SMH-12L	12	3.2	515×300×350	20×11.8×13.8	7	15	1.5	1.5	500	1102
			370	14.6			SVH-12L			695×300×360	27.4×11.8×14						
SAL-900G	Inductive	0.75 (3Φ)	670	26.4	50	110	1 × SMH-6L	6	1.6	460×260×315	18×10×12.5	6	13	1.5	1.5	500	1102
			390	15.4			1 × SVH-6L			600×260×305	23.6×10×12						
SAL-900G	Inductive	0.75 (3Φ)	740	29.1	50	110	2 × SMH-6L	6	1.6	460×260×315	18×10×12.5	6	6	1.5	1.5	500	1102
			740	29.1			2 × SVH-6L			600×260×305	23.6×10×12						
SAL-900G2	Inductive	1.5 (3Φ)	670	26.4	57	126	1 × SMH-12L	12	3.2	515×300×350	20×11.8×13.8	7	15	1.5	1.5	700	1543
			390	15.4			1 × SVH-12L			695×300×360	27.4×11.8×14						
SAL-900G2	Inductive	1.5 (3Φ)	740	29.1	57	126	2 × SMH-12L	12	3.2	515×300×350	20×11.8×13.8	7	15	1.5	1.5	700	1543
			740	29.1			2 × SVH-12L			695×300×360	27.4×11.8×14						

- Notes: 1) "SVH" stands for photosensor hopper receiver; "SMH" stands for vacuum hopper receiver.
 2) Test condition of conveying capacity: Plastic material of bulk density 0.65kg/L(5.5lb/gal), dia. 3~5mm/0.12~0.2 inch, vertical conveying height: 4m/13.1Feet, horizontal conveying distance: 5m/16.4Feet.
 3) Power supply: 3Φ, 230/400/460/575V, 50/60Hz for all models except SAL-700G (1Φ, 115/230V, 50/60Hz).

Shini Group

Addr: No. 23, Minhe St., Shulin Dist.,
New Taipei, Taiwan

Tel: +886 2 2680 9119

Fax: +886 2 2680 9229

Email: shini@shini.com

Factories:

- Taiwan
- Dongguan
- Pinghu
- Ningbo
- Chongqing
- Pune

2015-08-15-04 Copyrights Reserved.

www.shini.com